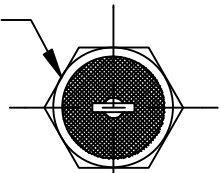


.375 [9.53] HEX



.060 [1.52] MAX.
POTTING HEIGHT, 2 PL.

.250
[6.35]

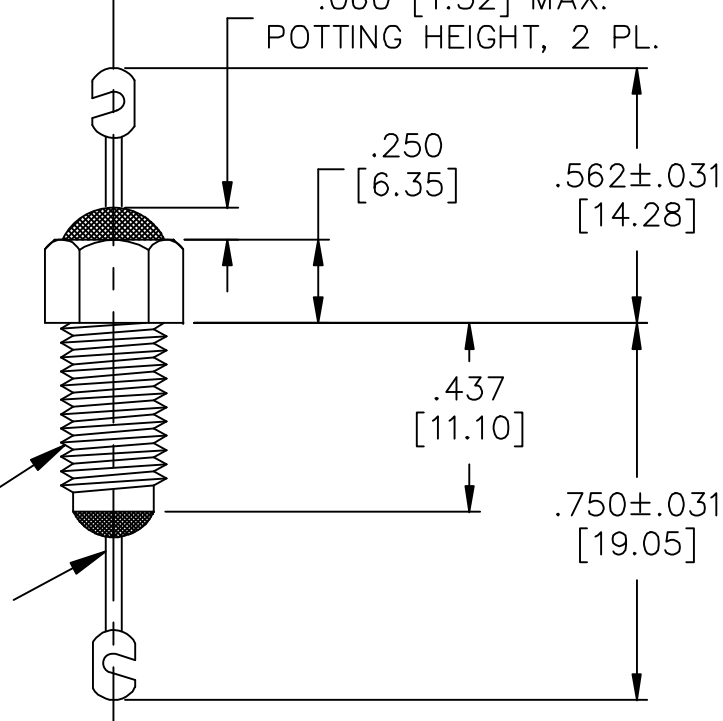
.562±.031
[14.28]

.437
[11.10]

.750±.031
[19.05]

5/16-32UNEF-2A

#15 AWG.(ø.057)



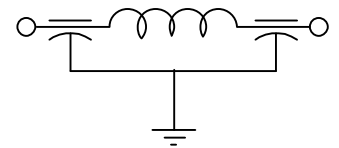
NOTES:

1. SUGGESTED MTG HOLE .328 DIA.
2. HARDWARE IS INCLUDED AND MUST BE PACKED IN THE SAME BAG QUANTITIES AS THE PART BAG QUANTITIES IN A GIVEN SHIPMENT.
3. MAXIMUM MOUNTING TORQUE=7LBS-IN
PRE FLATTEN/NOTCH DIMENSIONS, TOP-.542±.010,
BOTTOM-.730±.011

LEAD FINISH: SOLDER	
BUSHING FINISH: SILVER	
CAPACITANCE	3000 pF MIN.
TEMP. RANGE	-55°C/ + 125°C
CURRENT	25 AMP MAX.
WORKING VOLTAGE	125°C 125VAC/400Hz 125°C 500 VDC MAX.
D.C. RESISTANCE	.01ohms MAX.
MIN. I.L. PER MIL-STD-220 AT 25°C NO LOAD	
FREQ. MHz	I.L. (db)
1	---
10	10
100	55
1 GHz	70
10 GHz	70

06

SCHEMATIC



MARKING:

PART: S1202054

BAG: 1202-054
XXXX DATE CODE
XXX QTY./BAG
(50/ BAG MAX.)

	6	5	4	3	REV. NO.	TOLERANCES UNLESS OTHERWISE SPECIFIED
	CN #15200	CN 68302-ENG	CN 205223 REDRAWN	CN 185001 REDRAWN	CHANGE NOTICE	Fractions ± 1/64
						Dec. .xx±
						Dec. .xxx± .010
						Angles ±0° 30'
						CODE IDENT. NO. DLSP2

api 
technologies corp.

FAIRVIEW
PENNSYLVANIA

Dwn. KRDZALIC	Description
Ckd. 8-17-15	FLTR., SING., Pi, BSHG.
Apvd.	1202-054
Scale NONE	